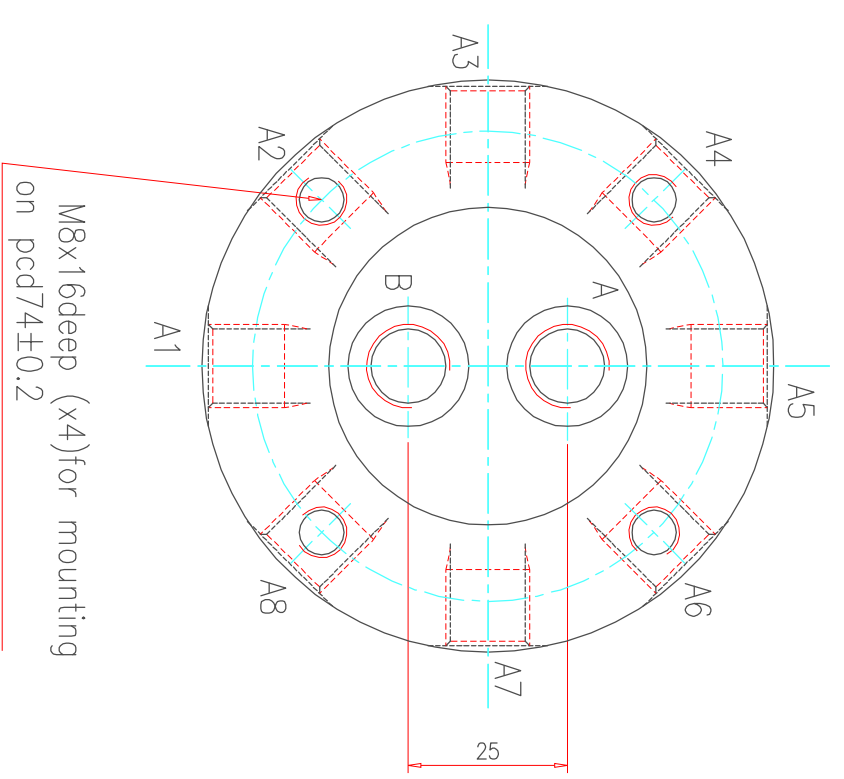
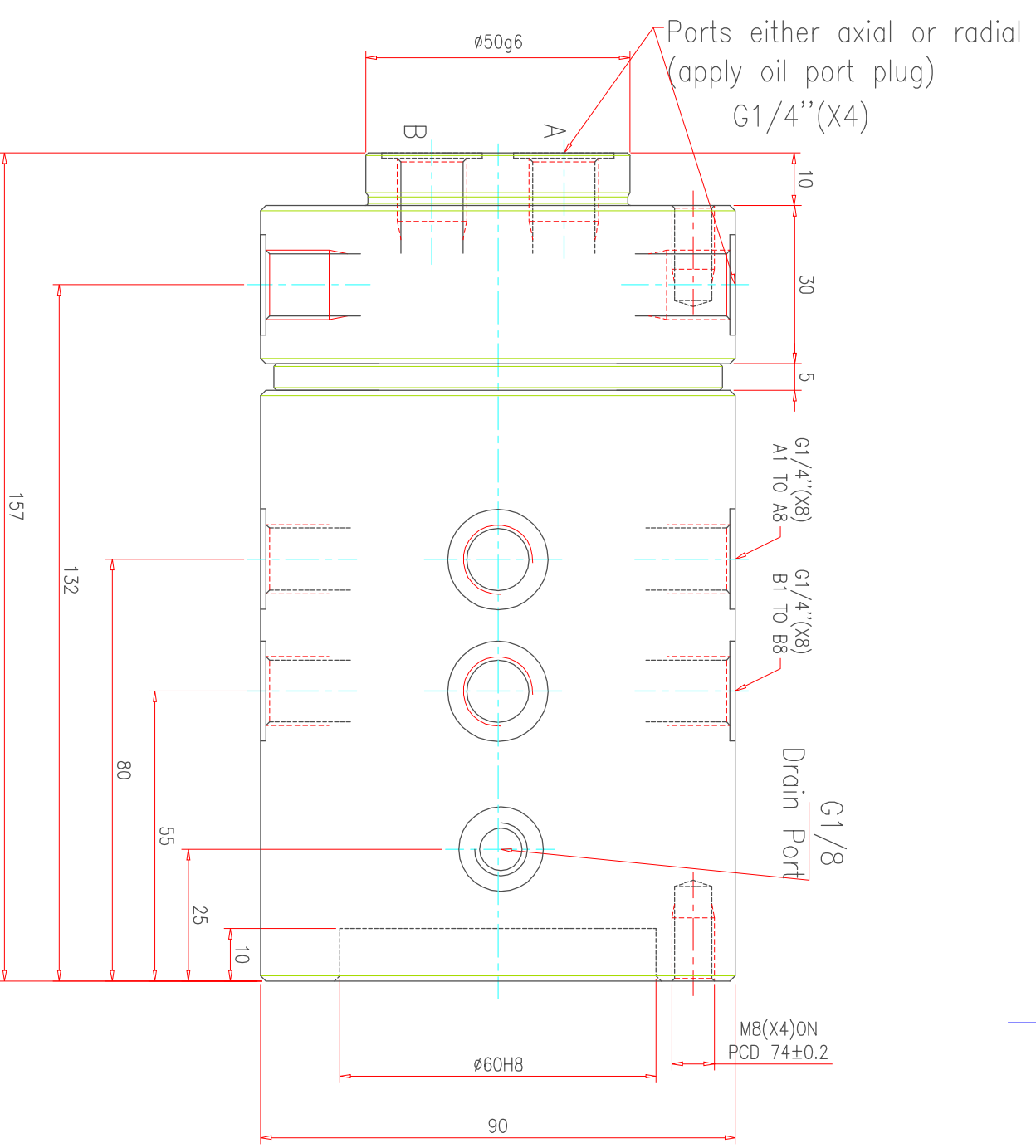


| REVISION | | | | |
|----------|-----|------|----|------|
| ZONE | REV | FROM | TO | DATE |
| | | | | |
| | | | | |
| | | | | |
| | | | | |



- Specifications:**
1. Max. operating pressure: 100 bar (Lubricants via air)
 2. Operating speed range: 4 RPM (max)
 3. Number of input lines to Non-rotating part: 2 Hydraulic
 4. Number of output lines from the Rotating part:
 - 1) Hydraulic – 2 lines (6 Ports)
 5. Hydraulic connection size: G1/4" & G1/8" ports suitable for fittings with copper washers.

NOTE
IMPORTANT:

- 1) Mounting should not induce side loading on to the rotary distributor Housing
Anti-rotation mounting should not constrain the rotary distributor side ways.
- 2) No leak port is provided. Hence Assy will have some nominal leakages, which will lubricate the phosphor bronze thrust bearing faces of the spacers.
- 3) Use always clean filtered oil in the power pack.

| | | | | | | | |
|--|--|-------------|--------|---------|---------|----------|-----------|
| SURFACE FINISH | | ▽▽▽ | ▽▽▽ | ▽▽ | ▽ | ~ | |
| Re value μm | | 0.025 | 0.05 | 0.1 | 0.2 | 0.4 | 0.8 |
| GENERAL TOLERANCES WHERE NOT SPECIFIED | | | | | | | |
| LINEAR - LENGTH OR DIAMETER | | 0.5-6 | 6-30 | 30-120 | 120-315 | 315-1000 | 1000-2000 |
| ANGULAR-LENGTH IN MM OR SHORT SIDE OF | | ±0.1 | ±0.2 | ±0.3 | ±0.5 | ±0.8 | ±1.2 |
| UP TO 6 | | 6-30 | 30-120 | 120-400 | | | |
| SCALE | | 1:1 | | | | | |
| TITLE | | DISTRIBUTOR | | | | | |
| MATERIAL | | - | | | | | |
| GROUP NO. | | - | | | | | |
| SUPERSEDED BY | | - | | | | | |
| REPLACES | | - | | | | | |
| DRAWING NO. | | V31203 | | | | | |