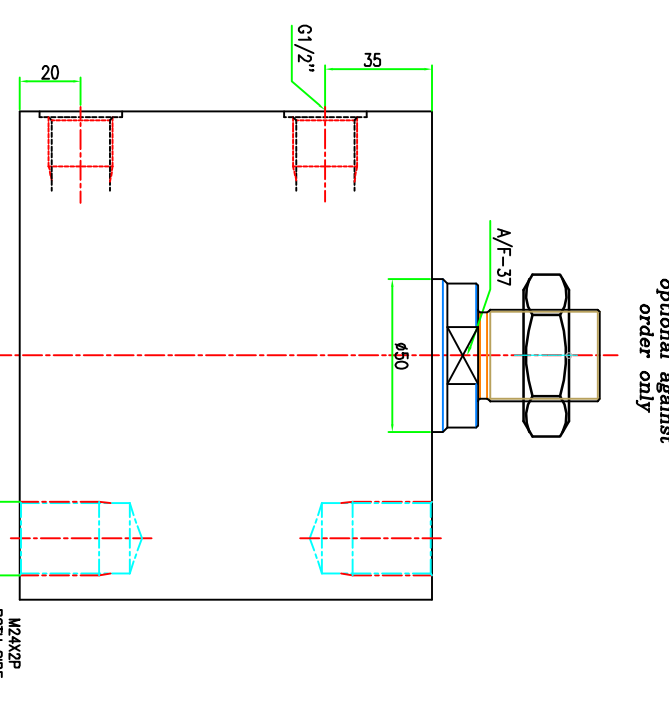
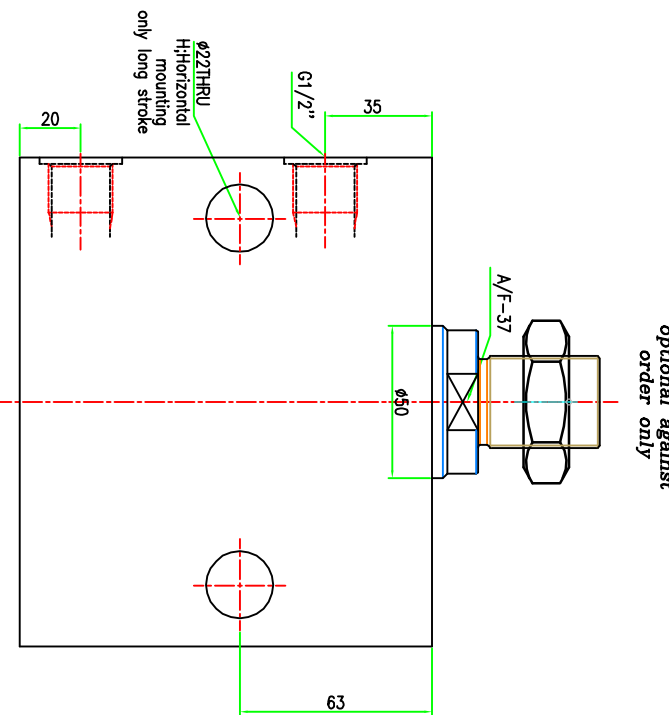
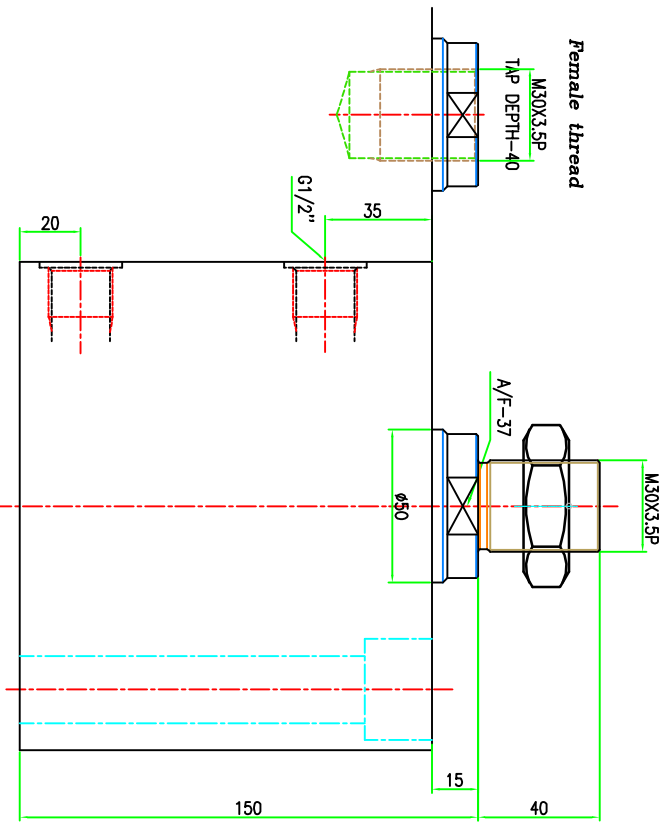
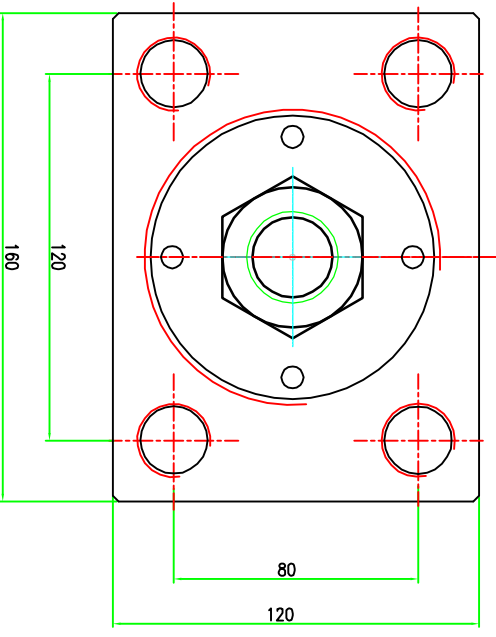
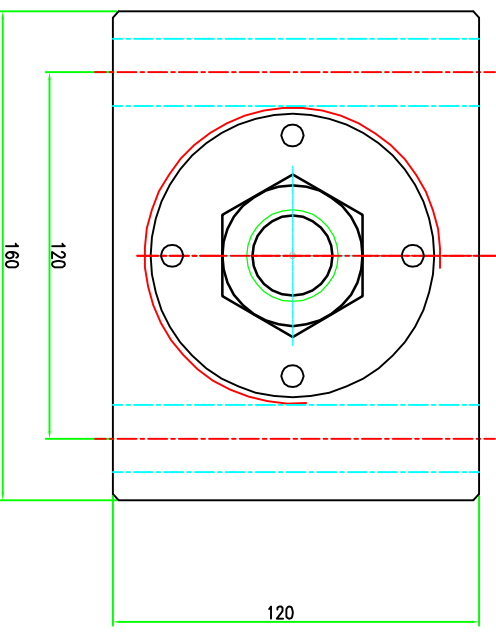
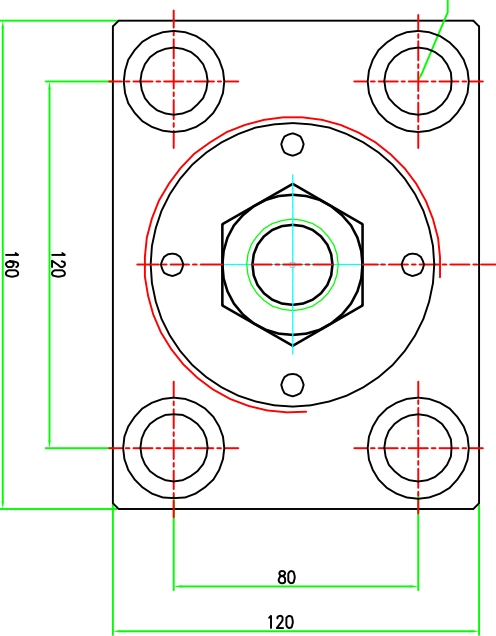


LONG STROKE (L)

REVISION				
ZONE	REV	FROM	TO	DATE



C'BORE#33XDEEP-22
#22(X4)HRU



Model NO-Male thread-A31313
Female thread-A31314

Specification:-
Type : Double acting hydraulic cylinder.
Bore dia = 80 mm, rod dia = 50 mm
Stroke = 50 mm
Long stroke 50mm. Shorter strokes are obtained by adding Spacers.
Operating pressure : max 250 bar/min 10 bar
Medium :Hydraulic oil (servo system HLP46/HLP68)

SURFACE FINISH		Ra value μm		LINEAR - LENGTH OR DIAMETER		ANGULAR-LENGTH IN MM OF SHORT SIDE OF ∠	
▽▽▽	▽▽▽	0.025	0.05	0.1	0.2	0.3	0.4
▽▽	▽▽	0.1	0.2	0.5	0.8	1.2	1.5
▽	▽	0.2	0.4	1.0	1.5	2.0	2.5
~	~	0.4	0.6	2.0	3.0	4.0	5.0
		0.6	1.0	4.0	6.0	8.0	10.0

DESIGN	TIRUMAL	DATE	22.08.08
DRAWN	TIRUMAL	MACHINE TYPE	
CHECKED		CUSTOMER:	
APPROVED			

SCALE: 1:1

TITLE: BLOCK CYLINDER DOUBLE ACTING

MATERIAL: XXX

GROUP NO: -

SUPERCEDED BY: -

DRAWING NO: -

QUICLOC PVT LTD B'lore - 70

SHEET NO: 1 OF: 1

- 1.0 GENERAL
- 1.1 ALL DIMENSIONS ARE IN MM.
- 1.2 DO NOT SCALE THE DRG.IF IN DOUBT ASK.
- 1.3 SUBJECT TO CHANGE FOR IMPROVEMENT.